



Designed and manufactured in Sweden by Easyrig

The Boom Rig is designed to be operated with boom pole weights from 2-10 kg (4.4-22 lbs). It will be your best tool for use with drama, documentaries, commercials and anywhere else a boom is essential!

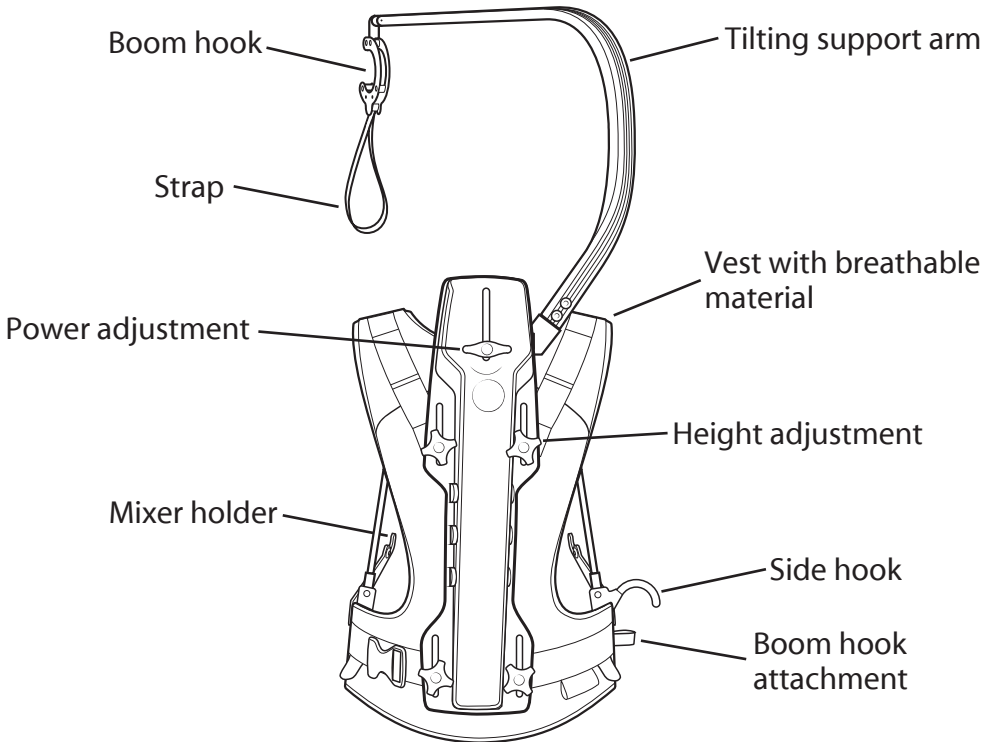
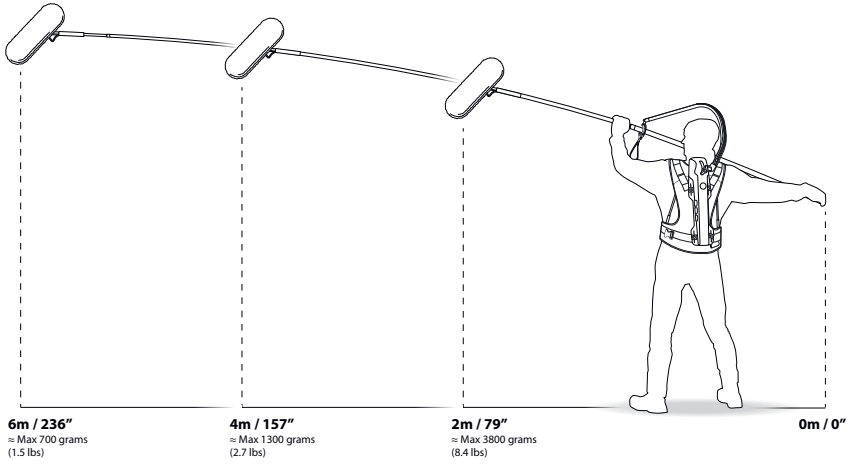
The Boom Rig gives you the advantages of being able to operate the boom with your hands while having the weight of the pole distributed to your hips. This relieves your shoulders, arms, and back of fatigue. The roller hanger allows you to twist the boom with ease. The system comes with mounting hangers for your mixer and case. Featured on the side is a hanger to hook and rest the boom to allow your hands to be free. You can now focus on the boom being in the correct position without the worry of your body.

Please send the included warranty card or register your Boom Rig on our website using the QR-code on the back of this manual.

Johan Hellsten
President
Easyrig AB

**Scan for
instruction video**





Easyrig Boom Rig Warranty Information card

Please mail within 30 days of purchase.

You can also register online on our support page:



Manufacturers products are warranted to be free from defects caused by faulty materials or workmanship for a period of two years from the date of purchase. The liability of the Manufacturer under this warranty is limited to repairing, replacing, or at its option issuing credit for any of its products which are returned by the purchaser during such period provided, however, that:

- A. Warranty card is properly filled out and returned to Manufacturer within 30 days of purchase.
- B. Warranty is valid when the used boom setup is under 10 kg
- C. That such defects exist and have not been caused by abuse, misuse, neglect, improper installation or assembly, repair, alteration or accident.
- D. Defective merchandise is returned to manufacturer accompanied by a report of findings indicating the basis of/for rejection and with transportation charges paid by the purchaser.

In no event shall Manufacturer be liable for collateral or consequential damages of any nature.

This warranty is in lieu of all other warranties expressed or implied.

Name _____ Title _____

Company _____

Address _____

City _____ Postal code _____

Country _____

Phone: _____

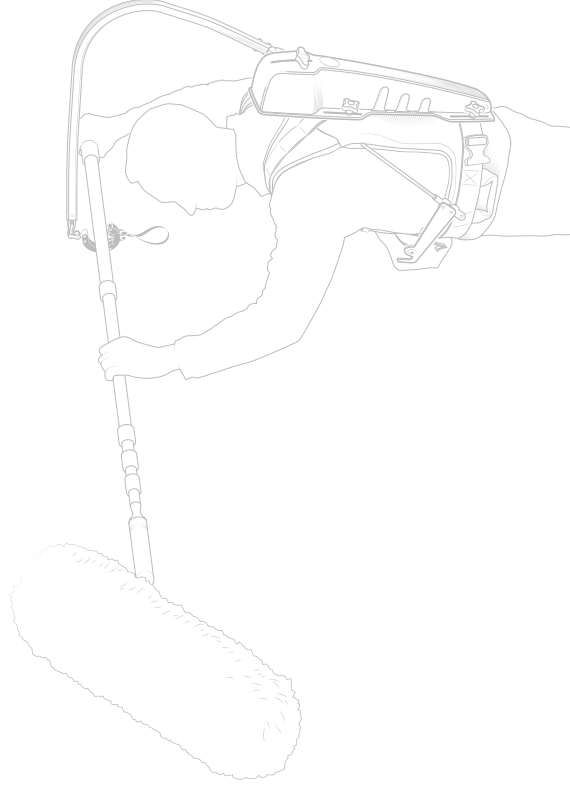
E-mail: _____

Serial number: _____

Purchase location/company: _____

Send us your opinion/comments

Stamp



Easyrig AB
Easyrigstrasse 231
905 95 Umeå
Sweden